

C.H.D.



Manual trolley for loads of 250 to 10000 kg



2, boulevard de l'Industrie - B.P. 59 - 28501 Vernouillet cedex - France
Téléphone : (33) 02 37 38 95 95 - Télécopieur : (33) 02 37 38 95 99
Internet : www.verlinde.com

JV 02 2002 121GB

C.H.D.

Manual trolley

For loads of 250 to 10000 kg

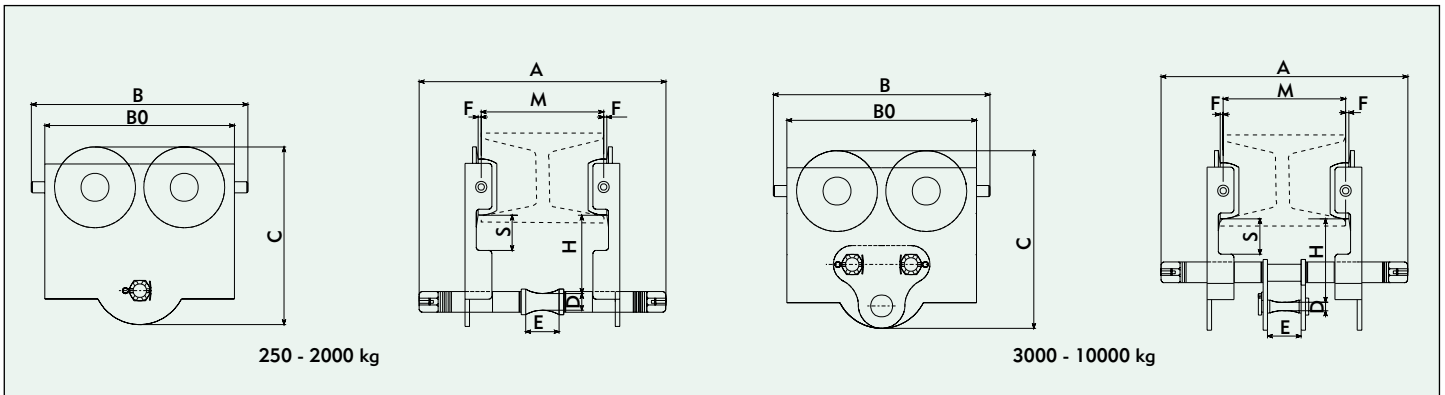


PHD
Hand chain block
250 - 10000 kg

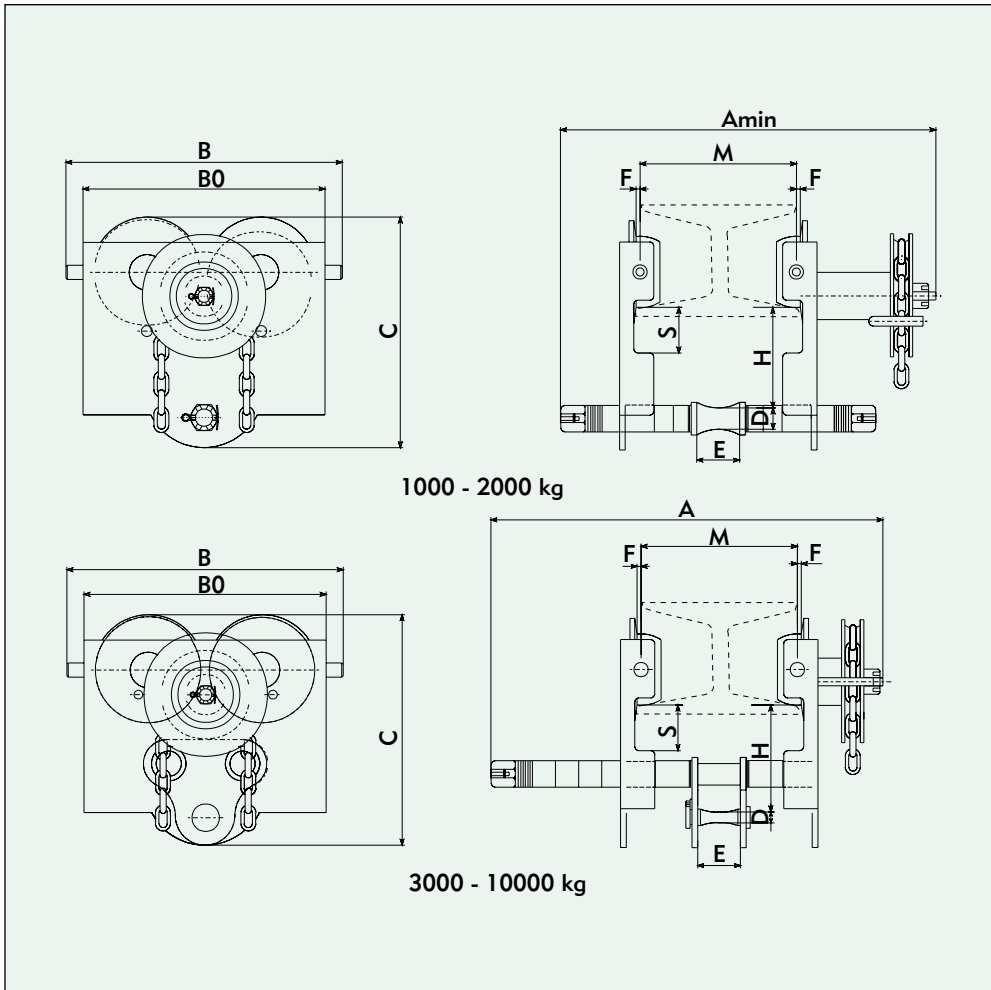
MANUAL TROLLEY TYPE CHD GENERAL CONCEPT

- The **CHD** allows the suspension of all types of lifting hook devices provided.
- The trolley width is adjustable according to beam size.
- Movement is achieved by pushing.
- Delivered. ready to assemble in box.
- Guaranteed 12 months
- Trolley flange in high resistance steel.
- Rollers: rims of wheels shaped to run on all types of monorail steel.
- Hook shaft: in steel, ensuring the overall rigidity of the assembly and the adjustment of the trolley width to adapt to varying rail sizes.(variable width available with **CHD** models).

DIMENSIONS OF PUSH TRAVEL TROLLEY TYPE CHD



SWL (kg)		250	500	1000	2000	3000	5000	8000	10000	
Testing load (kN)		3.98	7.35	14.71	29.42	44.13	61.29	98.06	122.58	
Min radius of curve (m)		0.65	0.70	0.95	1.1	1.3	1.4	1.9	2.0	
Dimensions (mm)	A mm	X-head 1	284	303	336	340	362	384	401	408
		X-head 2	-	411	435	448	470	490	507	514
	B	194	210	249	296	346	386	439	466	
	B0	170	186	225	272	322	362	415	442	
	C	160	174	211	252	310	348	398	421	
	D	15	20	22	28	28	35	43	47	
	E	32	32	39	42	49	60	68	70	
	H	60	62	81	96	129	162	176	187	
	S	32	35	38	38	40	42	45	45	
	F	1.53						23.5		
I-beam width (mm)	M	X-head 1	50-202	50-200	65-200	88-200	100-200	114-200	124-200	124-200
		X-head 2	-	188-310	188-310	188-310	188-310	188-310	188-310	188-310
Net weight (kg)	X-head 1	4.1	6.5	10.5	18	38	58.5	100	116	
	X-head 2	-	8	12	20	40	61	102.5	119	



CHDD trolley give same characteristics as CHD except :

- Travelling with hand chain and driving wheels
- Height of hand travelling chain: 2,5 m.



CHDD
Manual trolley
with hand chain
250 - 10000 kg

DIMENSIONS OF CHAIN TRAVEL TROLLEY TYPE CHDD

SWL (kg)			250	500	1000	2000	3000	5000	8000	10000
Testing load (kN)			3.98	7.35	14.71	29.42	44.13	61.29	98.06	122.58
Height of hand chain travel (m)			2,5							
Pulling force under full load (N)			22	35	55	90	95	140	200	240
Min radius of curve (m)			0.95	0.95	0.95	1.1	1.3	1.4	1.9	2.0
Dimensions (mm)	A min	X-head 1	392	392	392	400	374	392	413	421
		X-head 2	499	499	499	504	482	498	519	527
	B		249	249	249	296	346	386	439	466
	Bo				225	272	322	362	415	442
	C		211	211	211	252	310	348	398	421
	D		22	22	22	28	28	35	43	47
	E		39	39	39	42	49	60	68	70
	H		81	81	81	96	129	162	176	187
	S		38	38	38	38	40	42	45	45
	F		1.53						23.5	
I-beam width (mm)	M	X-head 1	65-200	65-200	65-200	88-200	100-200	114-200	124-200	124-200
		X-head 2	188-310	188-310	188-310	188-310	188-310	188-310	188-310	188-310
Net weight (kg)	X-head 1		14	14	14	21.5	42	62.5	104	120
	X-head 2		15.5	15.5	15.5	23.5	44	65	106.5	123



VERLINDE is :

- The leading French constructor and exporter of hoisting and mechanical handling equipment.
- A group employing 5,000 staff.
- A large range hoisting equipment from 125 to 80.000 kg
- ISO 9001 quality control certified.
- Easily-accessible consultants in over 80 countries.



In France

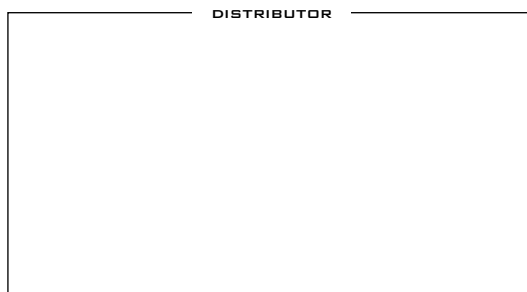
9 Sales offices, 14 after sale service centres,
11 manufacturing plants for EUROPOINT
travelling cranes and a national distribution network.

World-wide

Branches in Germany, Holland, Belgium, Italy and distributors in Germany, Spain, Argentina, Austria, Brazil, Chilli, United Kingdom, Sweden, Norway, Denmark, China, Thailand, Indonesia, Vietnam, Malaysia, United States, etc.



PHD
Manual chain hoist
250 - 3000 kg



PLV
Lever hoist
250 - 3000 kg